



314-647-6200  
info@carrlane.com  
Carrlane.com



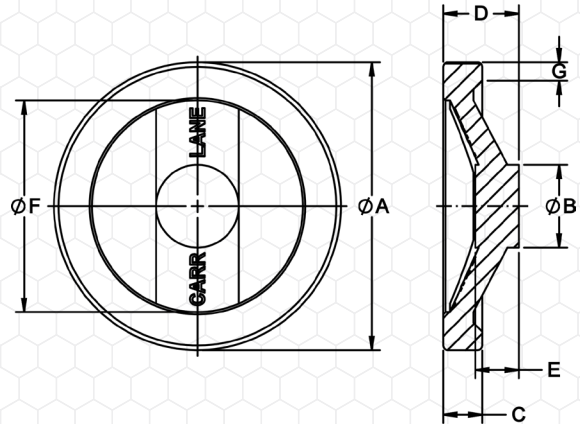
# Hand Wheels

Create a hand wheel that perfectly meets your unique requirements by selecting the optimal material that ensures both superior durability and high-performance operation. For an added layer of convenience, you also have the option to receive your hand wheel with the handle pre-installed.



**Try out our Hand Wheel  
Configurator!**

High-quality, modern-design with the choice of aluminum or stainless steel Hand Wheel with two spokes. The rim is machined and highly polished on all sides. Spokes are shot blasted to a satin finish. Available in four sizes, from 5" to 10" diameter. These Hand Wheels are finish-bored to the standard shaft diameter for their size, exactly concentric and square to the rim, and can be tapped for a Solid or Revolving Handle (order separately).



**Browse our Hand Wheels,  
download CAD files, & order  
online today!**